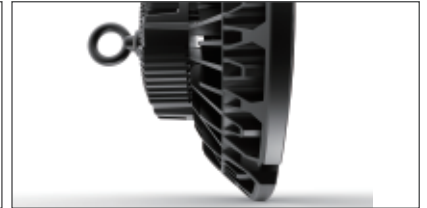


Compact LED High Bay SPEC H03CO

Series Products

Patented Design





■ Matters needing attention

- Before installing the lighting fixtures, please read this instruction manual carefully.
- The lighting fixtures should be installed, connected and tested by a certified installer based on the local regulations.
- Lamps should always be installed or replaced with care.
- Please check the local voltage in accordance with the product requirements before using the product.
- Relamping only can be done when the power is off and the lamp is completely cooled down.
- When a lamp is to be cleaned, make the power off and let it cool down completely. Clean the fixture with a soft cloth and a standard PH neutral detergent. Stainless steel finishing should be maintained regularly.
- Misuse of, or changes to the fixture shall nullify the guarantee.
- Don't cover the fixtures with flammable materials.
- Exclusively replaced by the manufacturer or his service agent or the similar qualified person in order to avoid a hazard.

■ S/N Rules

S/N:ABCDEFX

1 2 3 4 5 6

EX:H02CO206511030000X

1 2 3 4 5

- 1 Model
- 2 Power : 20=20W 30=30W 40=40W 50=50W 65=65W
- 3 Color Range : 30=WW(3000K) 40=NW(4000K) 50=DW(5000K)
60=CW(6000K)
- 4 Date : 11=2011 Year 03=March
- 5 Quantity : 00001-99999PCS

■ Temperature Characteristics T-ambient 25°

Temperature

Operating -30~+50 °C
Storage -40~+85 °C

■ Electrical Characteristics

Input Voltage: AC100~240V 50/60Hz
PF: ≥ 0.93 THD<20%
Power Efficiency: ≥ 0.9



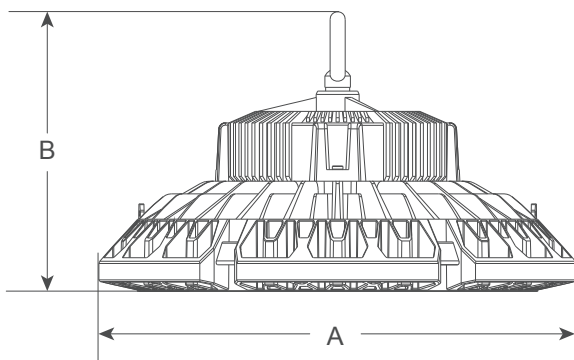
1. Features

- UFO High Bay Patented Design
- 4 Series products can meet the demand of different customers and markets
- Universal AC input 90-305VAC
- Loop hang and wall mounted for convenient installation and maintenance
- 60°90°110°beam angle with Lens
- Unique heatsink design for stable product performance
- Built-in active PFC function
- Patented design + Brand driver+ Brand LED
- Product automatic protection (OVP OLP OTP OCP)
- Water proof IP65 rate

2. Application

COMMERCIAL LIGHTING	PUBLIC LIGHTING	INDUSTRIAL LIGHTING
Hospital	Street	Manufacture
Supermarkets	Tunnel	Warehouses
Shopping mall	Airports	Park
School	Sports	Exhibition centers
Etc	Train stations	Gas stations
	Bus stations	Toll stations
	Theatres	Gymnasium
	MTR stations	Etc
	Etc	

3. Product Dimension



Model NO.	Size A(mm)	Size B(mm)
H03CO-xxNC-R380	380	220
H03CO-xxNC-R320	320	195



A choice of tailored optics ensures optimised performance for a range of applications.



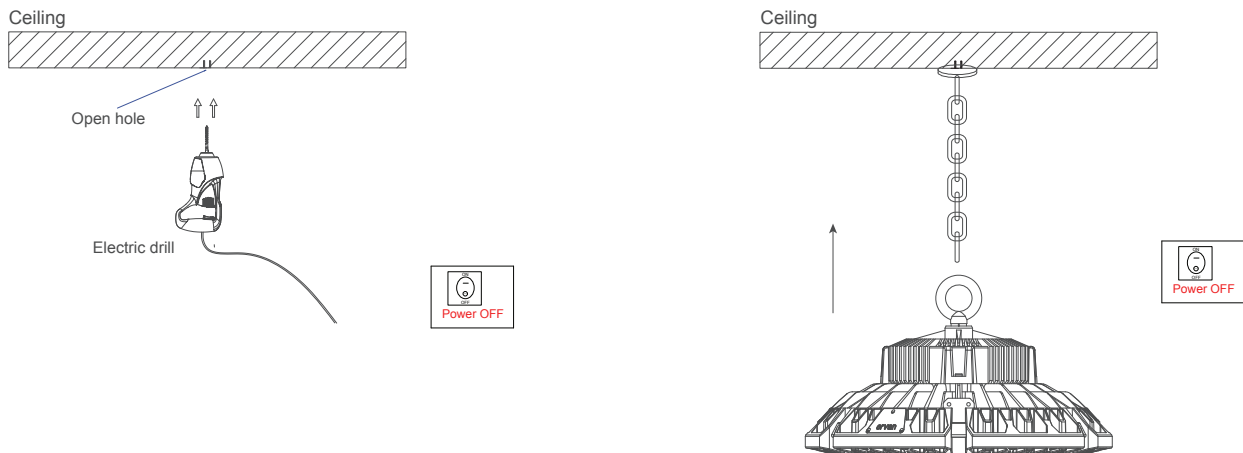
4. Parameter

Model NO.	Power (W)	Light Source	LED QTY (pcs)	CCT (K)	Clear Cover (Without reflector)		CRI	Beam Angle	Recommended Installation Height (m)
					Lumens	Lm/W			
H03CO-10NC-R380	100	3030	112	4000K	12500	125	>70/80	60°/90°/110°	6-12
H03CO-15NC-R380	150	3030	168	4000K	18750	125	>70/80	60°/90°/110°	6-12
H03CO-20NC-R380	200	3030	196	4000K	25000	125	>70/80	60°/90°/110°	6-12
H03CO-24NC-R380	240	3030	252	4000K	30000	125	>70/80	60°/90°/110°	6-12
H03CO-8NC-R320	80	3030	105	4000K	10000	125	>70/80	60°/90°/110°	6-12
H03CO-10NC-R320	100	3030	105	4000K	12500	125	>70/80	60°/90°/110°	6-12
H03CO-12NC-R320	120	3030	140	4000K	15000	125	>70/80	60°/90°/110°	6-12
H03CO-15NA-R320	150	3030	147	4000K	18750	125	>70/80	60°/90°/110°	6-12

CCT Range WW(3000K) NW(4000K) DW(5000K) CW(6500K)

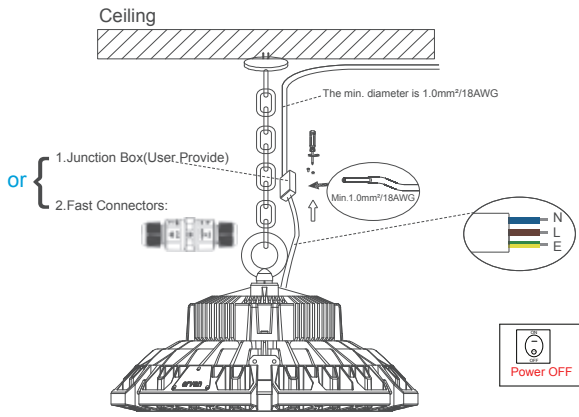
5. Installation

A. Suspending

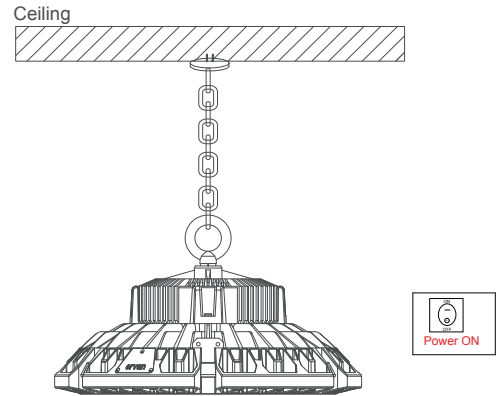


A : Make a right position and screw hole

B: Hook mounted

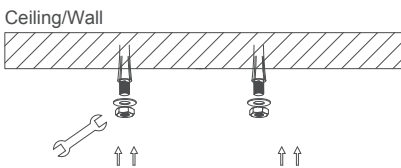


C. Connect the wire by junction box after power-off.

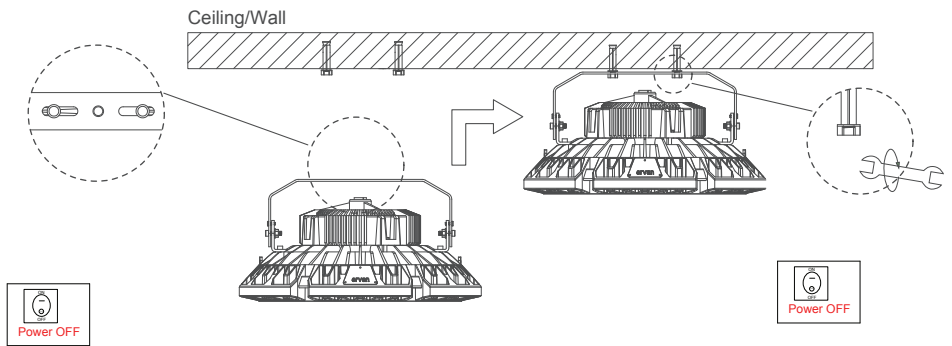


D: Adjust the position of the fixture and clean it.

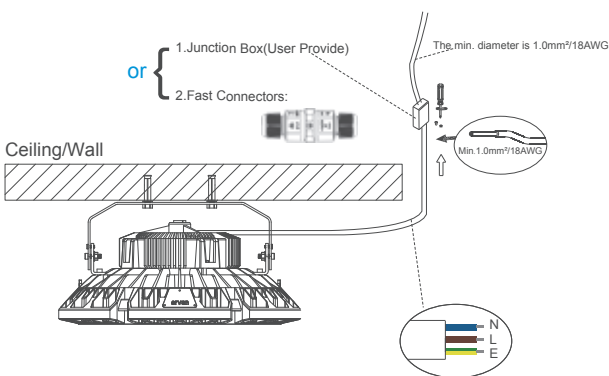
B. Ceiling Mounted



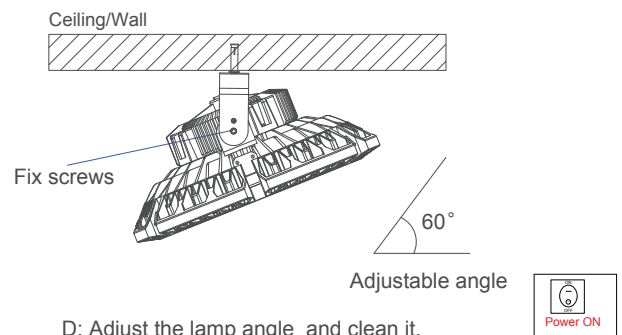
A: Install the setscrews



B: Put the lamp card into the setscrews and lock it tightly




C. Connect the power cable.



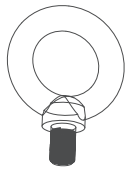
D: Adjust the lamp angle and clean it.

Please Note:
All the operations must be in the condition of power off

 The luminaires are intended for indoor use or under shelter for outdoor use.

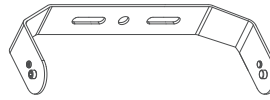


■ Pls note : Above installation “A” belongs to our standard installation, if you want to choose our way of “B” installation then you need to select our optional accessories and pay.



Loop
One package one piece

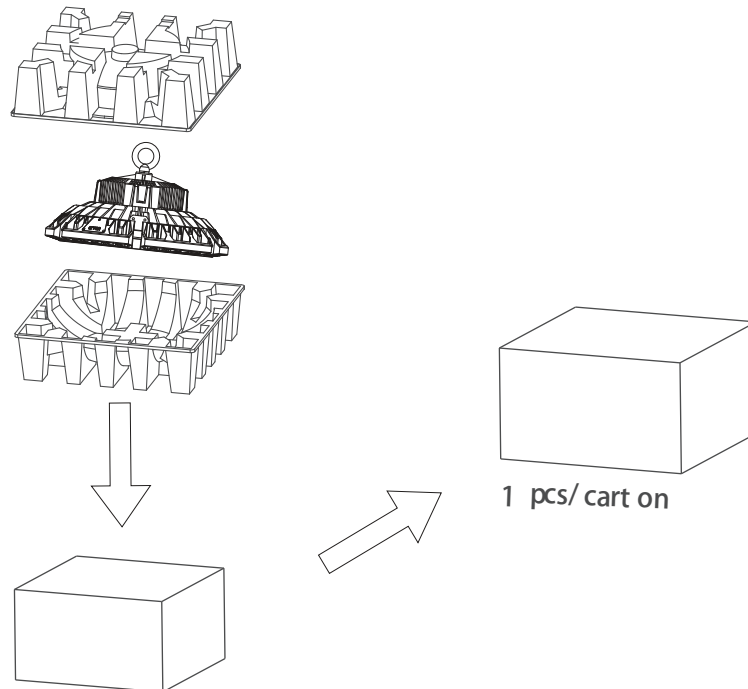
Standard accessories



Sway arm
One package one piece

Optional accessories

6.Packaging



Model No.	Single Box	Pcs/ctn	N.W.(kg)	G.W./ctn(kg)	Meas (mm)
H03CO-10NC-R380	1	1	7.22	9.018	437x437x288
H03CO-15NC-R380	1	1	7.46	9.129	437x437x288
H03CO-20NC-R380	1	1	8.22	9.889	437x437x288
H03CO-24NC-R380	1	1	8.22	9.889	437x437x288
H03CO-10NC-R320	1	1	4.30	6.018	372x372x220
H03CO-15NC-R320	1	1	4.30	6.129	372x372x220
H03CO-20NC-R320	1	1	4.75	6.889	372x372x220
H03CO-24NC-R320	1	1	4.86	6.889	372x372x220

■ PLS Note : The current of the package’s message pls check with the relative sales .

7.Attention

This specification is for reference only,we reserve the right to change without notice.If you need the updated info,please contact local distributors or visit our website at <http://www.ervan.cn>