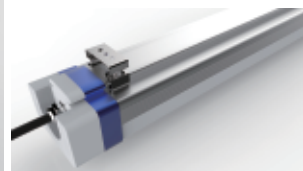
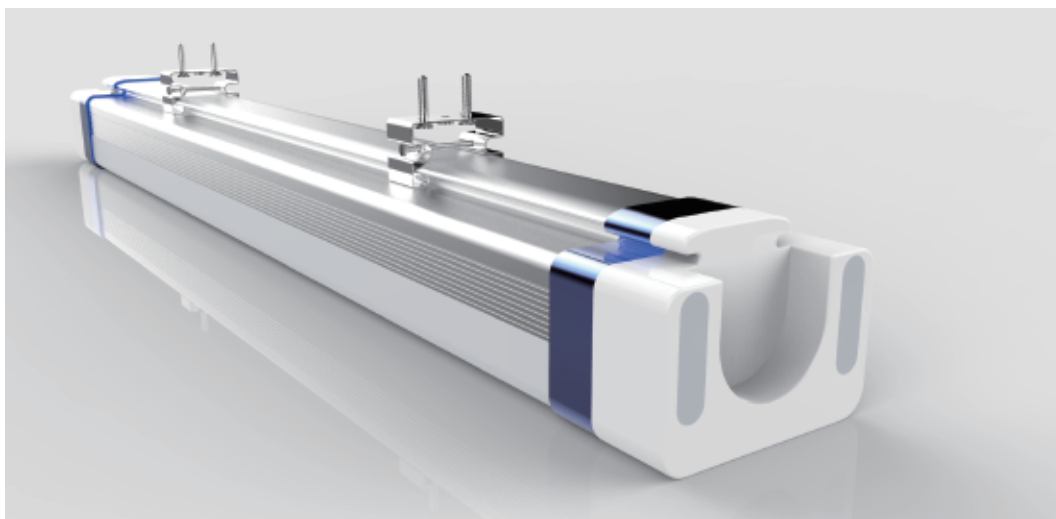


LED Tri-proof Light SPEC L07G





■ Matters needing attention

- Before installing the lighting fixtures, please read this instruction manual carefully.
- The lighting fixtures should be installed, connected and tested by a certified installer based on the local regulations.
- Lamps should always be installed or replaced with care.
- Please check the local voltage in accordance with the product requirements before using the product.
- Relamping only can be done when the power is off and the lamp is completely cooled down.
- When a lamp is to be cleaned, make the power off and let it cool down completely. Clean the fixture with a soft cloth and a standard PH neutral detergent. Stainless steel finishing should be maintained regularly.
- Misuse of, or changes to the fixture shall nullify the guarantee.
- Don't cover the fixtures with flammable materials.
- Exclusively replaced by the manufacturer or his service agent or the similar qualified person in order to avoid a hazard.

■ S/N Rules

S/N:ABCDEFX

1 2 3 4 5 6

EX:L07GK206511030000X

1 2 3 4 5 6

- 1 Model
- 2 PC Lens : K=Frosted T=Clear
- 3 Power : 20=20W 30=30W 40=40W 50=50W 65=65W
- 4 Color Range : 30=WW(3000K) 40=NW(4000K) 50=DW(5000K)
60=CW(6000K)
- 5 Date : 11=2011 Year 03=March
- 6 Quantity : 00001-99999PCS

■ Temperature Characteristics T-ambient 25°C

Temperature

Operating -20~+40 °C
Storage -40~+85 °C

■ Electrical Characteristics

Input Voltage: AC100~277V 50/60Hz
PF: ≥0.93 THD<20%
Power Efficiency: ≥0.87



1. Features

- Tri-proof led fixture for IP66 waterproof, dust, corrosion and pressure-proof
- Patent and functional design with imaginative appearance
- High stability isolated driver
- Excellent heat dissipation depending on whole aluminum housing
- Widely use for ambient lighting application
- Maximum efficacy and minimum glare
- High-tech optical design
- No UV ,No lead, No Mercury
- CB/TUV/UL/FCC certification

2.Application

COMMERCIAL LIGHTING

Supermarket
Exhibition hall
Parking place
Gas station
Etc

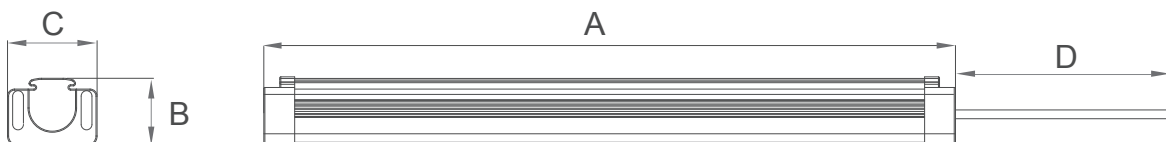
PUBLIC LIGHTING

Tunnel
MTR station Etc
Train station
Bus station
Airport
Etc

INDUSTRIAL LIGHTING

Factory/Warehouse
Etc

3.Product Dimension



Model NO.	Size A(mm)	Size B(mm)	Size C(mm)	Size D(mm)
L07G 600mm	600	63	83	1000
L07G 900mm	900	63	83	1000
L07G 1200mm	1200	63	83	1000
L07G 1500mm	1500	63	83	1000
L07G 1500mm-A	1500	63	83	1000



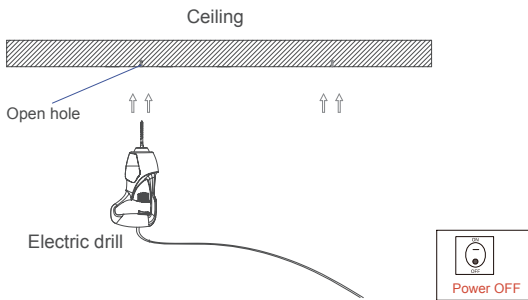
4. Parameter

Model NO.	Power (W)	Light Source	LED QTY (pcs)	CCT (K)	Frosted Cover Lumens	Frosted Cover Lm/W	Clear Cover Lumens	Clear Cover Lm/W	CRI	Beam Angle
L07G/600mm	20	2835	108	4000K	1900	95	2100	105	>80	120°
L07G/900mm	30	2835	156	4000K	2850	95	3150	105	>80	120°
L07G/1200mm	40	2835	216	4000K	3800	95	4200	105	>80	120°
L07G/1500mm	50	2835	264	4000K	4750	95	5250	105	>80	120°
L07G/1500mm-A	65	2835	351	4000K	6175	95	6825	105	>80	120°

CCT Range WW(3000K) NW(4000K) DW(5000K) CW(6500K)

5. Installation

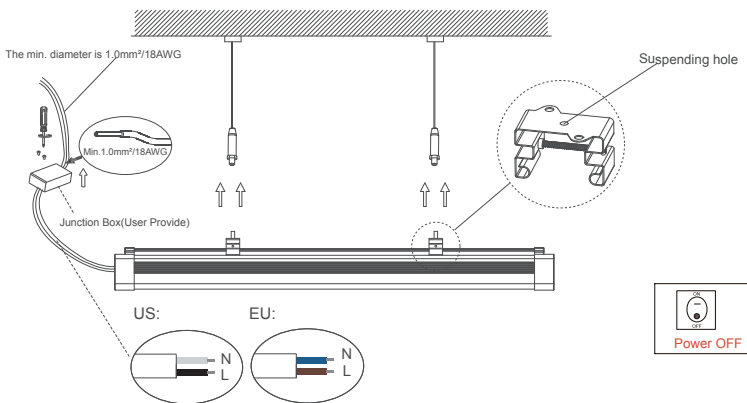
A. Suspending



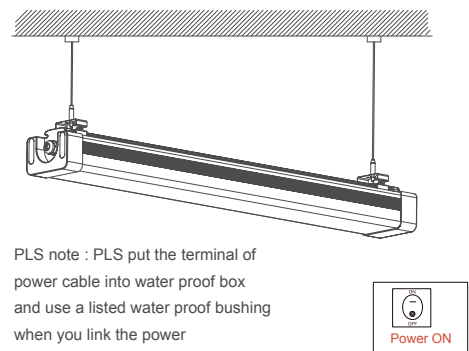
A : Make a right position and screw hole



B : Screw the steel cable onto the ceiling



C : Hung the fixture under the steel cable and secure the fixture by steel cable

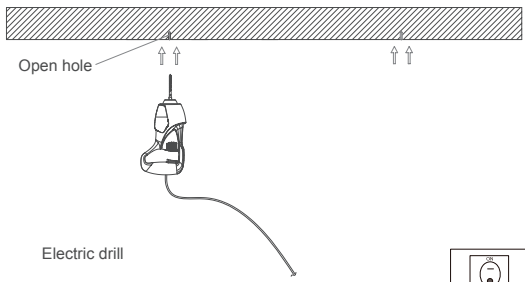


PLS note : PLS put the terminal of power cable into water proof box and use a listed water proof bushing when you link the power

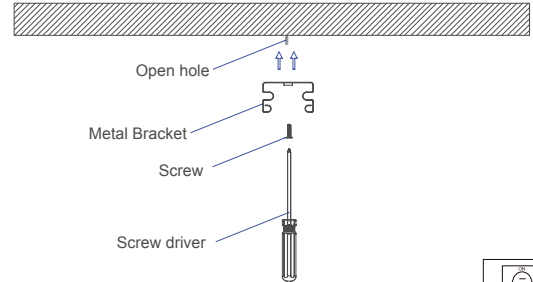
D: Adjust the position of the fixture and clean it..



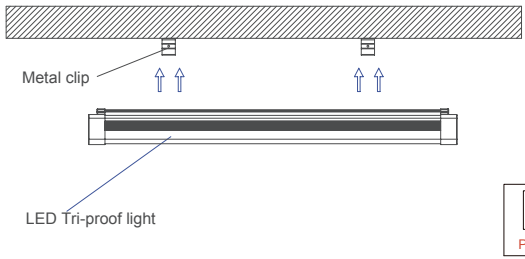
B. Ceiling Mounted



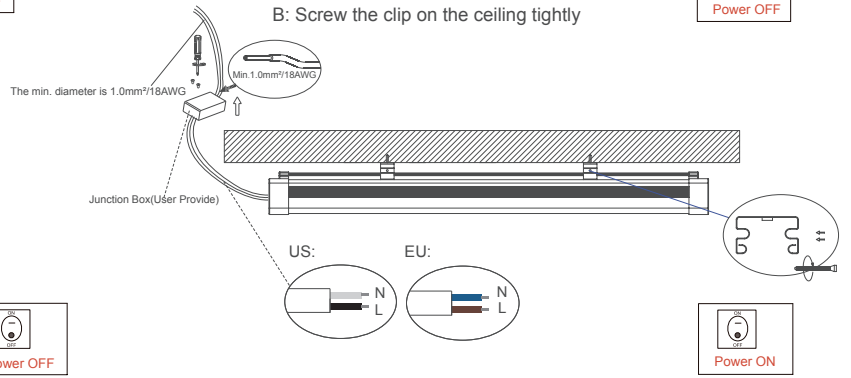
A: Make a right position and screw hole



B: Screw the clip on the ceiling tightly



C: Install the lamp into the clips.

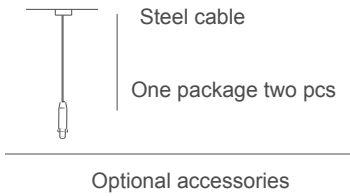
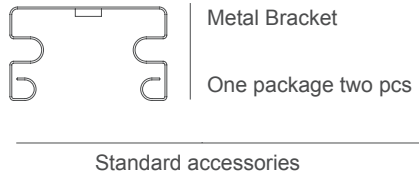


Note : pls put the terminal of power cable into water proof box and use a listed water proof bushing when you link the power

D: Adjust the position of the fixture and clean it..

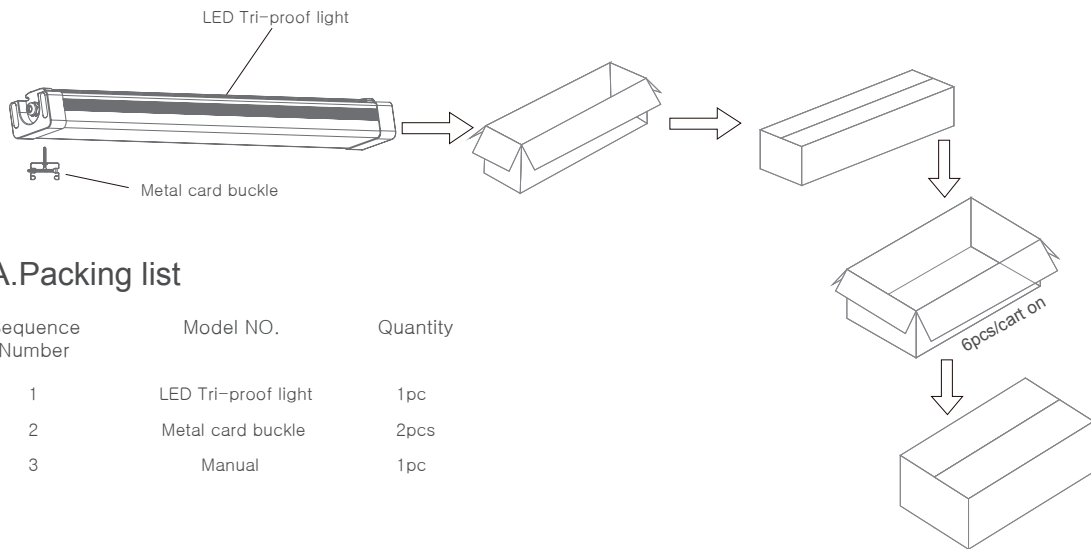
■ Caution: The product is not suitable for any oil pollution ambient or related applications.

■ Pls note : Above installation “ B ” belongs to our standard installation, if you want to choose our way of “ A ” installation then you need to select our optional accessories and pay.





6.Packaging



A.Packing list

Sequence Number	Model NO.	Quantity
1	LED Tri-proof light	1pc
2	Metal card buckle	2pcs
3	Manual	1pc

B.Packing Data

Model No	Single Box	Pcs/CTN	N .W. / pcs (kg)	G .W. /CTN (kg)	Meas (mm)
L07G 600mm	1	6	1.877	12.362	720x300x190
L07G 900mm	1	6	2.579	17.074	1020x300x190
L07G 1200mm	1	6	3.342	22.152	1320x300x190
L07G 1500mm	1	6	4.096	27.086	1620x300x190

7.Attention

This specification is for reference only,we reserve the right to change without notice.If you need the updated info,please contact local distributors or visit our website at <http://www.ervan.cn>